

TAKSTAR® 得胜



WPM-420

无线监听耳机

Wireless Monitor Headphones

使用手册 | User Manual

WPM-420 无线监听耳机

■ 前言

尊敬的用户：

感谢您选购得胜WPM-420无线监听耳机，为了您能够更好地了解使用本产品，建议您在使用前仔细阅读本使用手册。

若存在有疑问或者您有宝贵的建议，可通过拨打得胜官方服务热线400 6828 333或微信扫描二维码关注得胜官方公众号与我们联系。



■ 产品特性

- 真无线监听耳机，专为直播监听、录音监听等场合设计；
- 采用2.4G无线传输技术，快速匹配，自动回连，传输距离约12米；
- 无线一拖多，可实现N个耳机同步监听，一键配对，多人分享；
- 专业录音监听级别的超低延迟，音画同步，直播互动更流畅；
- 入耳式设计，小巧轻便，佩戴舒适，载歌载舞轻松自如；
- 发射器采用 Φ 3.5mm音频输入接口，方便与声卡、调音台等音频设备连接；
- 内置锂电池，持久续航，搭配充电仓使用时间约15小时。

■ 适用范围

适用于直播监听、录音监听等场合

■ 产品配置

WPM-420无线监听耳机

无线耳机.....	1对
充电仓.....	1只
发射器.....	1只
Y型Type-C充电线.....	1条
使用手册.....	1份

WPM-420R无线监听耳机

无线耳机.....	1对
充电仓.....	1只
Type-C充电线.....	1条
使用手册.....	1份

WPM-420 无线监听耳机

■ 技术参数

无线耳机参数

- 充电仓电池规格: 3.7V/450mAh
- 耳机电池规格: 3.7V/70mAh
- 充电规格: 5V~220mA
- 充电时间: 耳机约2h; 充电仓约2.5h
- 续航时间: 耳机约5h; 搭配充电仓综合约15h
- 单体重量: 单只耳机约5g; 整机约44g

综合参数

- 工作频率: 2.4GHz
- 单元规格: $\varnothing 13\text{mm}$ 动圈单元
- 单元阻抗: $32\Omega \pm 10\%$
- 频率响应: 20Hz-20kHz
- 灵敏度: $102 \pm 3\text{dB}$
- 采样率: 48kHz/16bit

注:

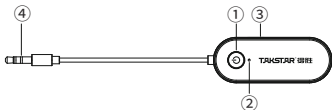
- 1) 以上数据由得胜实验室测试得到, 并拥有最终解释权!
- 2) 实际续航时间可能会因使用状况(音量、音源、干扰、不同设备等)存在有所差异。
- 3) 传输范围将视设备之间的障碍物、周围磁场、静电等因素而变化。

发射器参数

- 电池规格: 3.7V/450mAh
- 充电规格: 5V~220mA
- 充电时间: 约2.5h
- 续航时间: 约18h
- 单体重量: 约25g
- 额定功率: 20mW
- 峰值功率: 30mW
- 信噪比: 78dB(电路性能)
- 总谐波失真: $<0.5\%$ 1kHz 3mW
- 传输距离: 约12米(无障碍空旷空间)

■ 功能示意

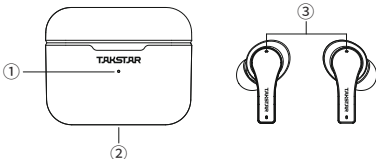
发射器



WPM-420 无线监听耳机

- ① 电源键：长按2秒开/关机；快速三击进入配对模式；
- ② 工作指示灯：低电时，红灯快闪；充电时，红灯慢闪；充满电后，红灯长亮；未连接时，绿灯慢闪；配对模式下，绿灯快闪；配对连接成功，绿灯长亮；具体配对操作详见本使用手册“配对操作”部分；
- ③ Type-C充电接口：通过充电线连接DC 5V=500mA以上适配器充电；
- ④ 音频输入插头：连接声卡、调音台等设备的 $\varnothing 3.5\text{mm}$ 监听耳机接口。

无线耳机



- ① 电源指示灯：低电时，绿灯连续闪烁4次后熄灭；充电时，红灯慢闪，充满电后，红灯长亮；
- ② Type-C充电接口：通过充电线连接DC 5V=500mA以上适配器充电；
- ③ 工作指示灯：低电时，红灯闪烁；充电时，红灯长亮；充满电后，红灯熄灭；未连接时，绿灯慢闪；配对连接成功，绿灯长亮。

■ 使用说明

开/关机

发射器：长按电源键2秒开/关机；

无线耳机：将耳机从充电仓取出后自动开机；将耳机放入充电仓后自动关机。

配对操作

套装出厂时已默认配对好，开机自动连接，如需重新配对或配对更多无线耳机时，可按照以下方法进行配对：

1. 将需要配对的无线耳机从充电仓取出，此时耳机未配对连接，工作指示灯绿灯慢闪；
2. 将发射器开机后，快速三击发射器电源键，此时发射器进入配对模式，工作指示灯绿灯快闪；
3. 待无线耳机工作指示灯长亮后，表示配对完成，连接成功。

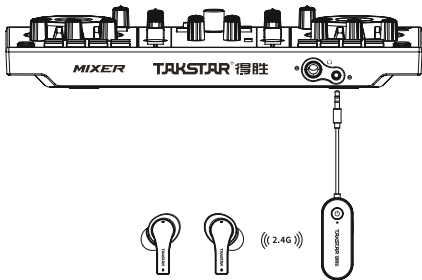
WPM-420 无线监听耳机

注:

- 1) 增加多只无线耳机配对连接时, 只需将多只无线耳机全部从充电仓中取出, 然后操作发射器配对操作, 即可实现一拖多功能;
- 2) 若多套设备配对时, 请避免多套发射器同时进入配对模式, 错开时段单独配对。

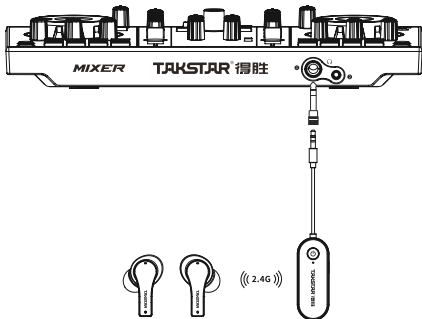
监听连接方法

1. 发射器和无线耳机配对成功后, 将发射器连接到声卡的 $\varnothing 3.5\text{mm}$ 监听耳机接口;



WPM-420 无线监听耳机

2. 如声卡设备的监听耳机接口为 $\Phi 6.35\text{mm}$ 规格, 请使用 $\Phi 3.5\text{mm}$ 转 $\Phi 6.35\text{mm}$ 转接头 (转接头需自行另购) 进行连接。



■ 安全使用说明

为了您有一个安全与舒适的体验, 请仔细阅读并遵守以下事项:

1. 为了避免听力受损, 请务必在连接耳机前将播放设备音量调小。在将耳机佩戴入耳内/耳上之后, 再逐步调大至您聆听舒适的音量。噪音是以分贝 (dB) 为计量单位的, 外界任何85分贝及以上的噪音都会导致听力逐渐受损。
2. 请注意您的使用习惯。音量和时间对听力损失的影响成正比的关系, 音量越大, 您的聆听时间越短; 音量越舒适, 您聆听的时间越长。长时间使用较高的音量会对您的听力造成损伤。

WPM-420 无线监听耳机

以下分贝 (dB) 表对某些常见声音进行比较, 并列出了它们可能对听力的潜在危害等级。

声音来源	噪声等级	听力影响
细声低语	30dB	非常安静
安静的办公室	50-60dB	舒适的听力级别在60dB以下
吸尘器/吹风机	70dB	有一定入侵性, 造成干扰妨碍电话交谈
食物料理机	85-90dB	85dB是开始造成听力受损 (连续8小时) 的级别
垃圾清理机 混凝土搅拌机	100dB	建议无保护措施而暴露在90-100dB声音之下的时间不要超过15分钟
电锯/电钻	110dB	经常暴露于超过100dB的声音1分钟以上会有听力受损的风险
摇滚音乐会 (因情况而异)	110-140dB	感觉疼痛的阈值在120dB左右开始

■ 维护及保养

1. 使用一段时间后, 应对耳套进行清洁处理。耳套可用带有中性肥皂水或清洁剂的毛巾轻轻擦洗, 也可以直接用干布擦拭, 请勿直接投入水中清洗;
2. 在高温高湿的场所长时间使用耳机, 容易造成耳机损坏或降低使用寿命;
3. 耳机在放置时要避免和强磁体接触, 以免使耳机的恒磁体去磁, 使耳机的灵敏度降低而影响耳机音色。

WPM-420 无线监听耳机

■ 注意事项

⚠ 危险

为确保您的人身安全，请勿将该耳机佩戴或放置在离心脏起搏器过近的位置（小于10cm）。	⊘ 禁止
请勿将线材插头插入电源插座。	⊘ 禁止
为了您与其他交通参与者的安全，驾驶车辆、骑自行车或马路上行走时，请勿使用耳机。	● 执行
请勿将耳机靠近明火或置于火中，以免发生爆炸。	⊘ 禁止

⚠ 警告

儿童应在成人监督下使用本产品，本产品并非玩具。	● 执行
使用该产品时需遵守相关安全规定，法律法规明确禁止使用场合请勿使用本产品，以免导致意外事故。	● 执行

■ 安全警示

为避免电击、高温、着火、辐射、爆炸、机械危险以及使用不当等可能造成的人身伤害或财产损失，使用本产品前，请仔细阅读并遵守以下事项：

1. 使用产品时请确认所连设备与本产品是否匹配以及合理调整音量大小，不要在超过产品功率及大音量下长时间使用，以免造成产品异常和听力损伤；
2. 使用中若发现有异常（如冒烟、异味等），请立即关闭电源开关并拔掉电源插头，然后将产品送售后服务网点检修；
3. 若使用电源适配器或移动电源供电，应购买使用获得CCC认证并满足标准要求的电源适配器或移动电源；
4. 本产品及配件都应放置在室内干燥通风处，请勿长期存放在潮湿、灰尘多的环境，使用中避免靠近火源、雨淋、进水、过度碰撞、抛掷、振动本机及覆盖通风孔，以免损坏其功能；
5. 若产品需要固定于墙壁或天花板时，请确保固定到位，防止因固定强度不足导致产品发生跌落危险；
6. 使用该产品时需遵守相关安全规定，法律法规明确禁止使用场合请勿使用本产品，以免导致意外事故；
7. 请不要自行拆机改装或维修，以防止出现人身伤害，如有问题或服务需求请联系当地售后服务网点跟进处理。

WPM-420 无线监听耳机

■ 环保说明

产品中有毒有害物质或元素的名称及含量标识表

部件名称	有毒有害物质或元素									
	铅 (Pb)	汞 (Hg)	镉 (Cd)	六价铬 (Cr(VI))	多溴联苯 (PBB)	多溴二苯醚 (PBDE)	邻苯二甲酸 二正丁酯 (DBP)	邻苯二甲酸 二异丁酯 (DIBP)	邻苯二甲酸 丁基苯酯 (BBP)	邻苯二甲酸 二(2-乙基)己酯 (DEHP)
塑料部件	○	○	○	○	○	○	○	○	○	○
金属部件	×	○	○	○	○	○	○	○	○	○
电路板组件	×	○	○	○	○	○	○	○	○	○
线缆	×	○	○	○	○	○	○	○	○	○

本表格依据SJ/T 11364的规定编制。
○: 表示该有害物质在该部件所有均质材料中的含量均在GB/T 26572规定的限量要求以下。
×: 表示该有害物质至少在该部件的某一均质材料中的含量超出GB/T 26572规定的限量要求。

此标志为产品的环保使用期限标志,
且此环保使用期限只适用于产品正常工作的温度和湿度等条件。



■ 关于图标含义解释



此符号表示, 根据WEEE指令(2012/19/EU)和国家法律, 由于这种类型的废弃物会有潜在的有害物质, 可能对环境 and 人类健康产生负面影响, 所以本产品不应与您的家庭垃圾一起处置, 应将本产品交由授权的电气和电子设备 (WEEE) 回收站回收。

同时, 您在正确处理本产品的同时将有助于自然资源的有效利用。如需了解更多有关您可以在何处放置废物回收设备的信息, 请联系您当地的城市办事处、废物管理局或家庭废物处理服务部门。

■ 关于本使用手册

本使用手册中内容符合截止印刷之日的技术规格。由于得胜公司会不断改进产品, 本使用手册可能不符合您的特定产品的技术规格。要获取最新版使用手册, 请访问得胜官网, 然后下载使用手册文件。技术规格、设备或另售的附件在各个地区可能有所不同, 如有问题请与当地得胜销售网点确认。如需更多支持和深层产品信息, 请浏览得胜官方网站:

<https://www.takstar.com>

版权所有 ©2025 得胜。得胜、TAKSTAR 及其各自标志是得胜公司在中国和/或其他国家/地区的注册商标或商标。所有其它商标均是各自所有者的财产。

WPM-420 Wireless Monitor Headphones

■ Preface

Dear Customer,

Thank you for purchasing Takstar WPM-420 Wireless Monitor Headphones. In order to better understand and use the product, please read this manual carefully.

If you have any questions or suggestions, please contact our local dealer.

■ Features

- True wireless monitor headphones are designed for live streaming and recording monitoring.
- 2.4G wireless tech features fast pairing, auto-reconnect and approx. 12m range.
- Multi-headphone sync monitoring, one-touch pairing and multi-user sharing.
- Ultra-low latency at pro recording monitoring level and audio-video sync ensure smoother live interaction.
- Compact, lightweight and comfortable in-ear design.
- Φ 3.5mm input (transmitter) allows easy connection to sound cards, mixers, etc.
- Built-in lithium battery offers approx. 15h of usage time with the charging case.

■ Applications

Suitable for live streaming monitoring, recording monitoring, and other scenarios.

■ Package Contents

WPM-420 Wireless Monitor Headphones

1 × Wireless Headphones	1 × Y-Shaped Type-C Charging Cable
1 × Charging Case	1 × User Manual
1 × Transmitter	

WPM-420R Wireless Monitor Headphones

1 × Wireless Headphones	1 × Type-C Charging Cable
1 × Charging Case	1 × User Manual

WPM-420 Wireless Monitor Headphones

■ Specifications

Wireless Headphones

- Charging Case Battery Spec: 3.7V/450mAh
- Headphone Battery Spec: 3.7V/70mAh
- Charging Spec: 5V=220mA
- Charging Time: Headphones approx. 2h; Case approx. 2.5h
- Battery Life: Headphones approx. 5h; Total with case approx. 15h
- Unit Weight: Single Headphone approx. 5g; Full set approx. 44g

Transmitter

- Battery Spec: 3.7V/450mAh
- Charging Spec: 5V=220mA
- Charging Time: Approx. 2.5h
- Battery Life: Approx. 18h
- Unit Weight: Approx. 25g

Comprehensive Specifications

- Operating Frequency: 2.4GHz
- Driver: Ø13mm dynamic
- Impedance: $32\Omega \pm 10\%$
- Frequency Response: 20Hz-20kHz
- Sensitivity: $102 \pm 3\text{dB}$
- Sampling Rate: 48kHz/16bit
- Rated Power: 20mW
- Peak Power: 30mW
- SNR: 78dB (Circuit performance)
- THD: <0.5% at 1kHz, 3mW
- Transmission Range: Approx. 12m (unobstructed open space)

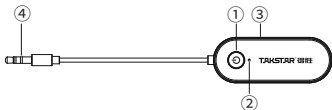
Notes:

1. The above data are measured by Takstar laboratory which has the final interpretation right!
2. Actual battery life may vary due to usage conditions (e.g., volume, audio source, interference, different devices).
3. Transmission range varies based on factors like obstacles between devices, surrounding magnetic fields, static electricity.

WPM-420 Wireless Monitor Headphones

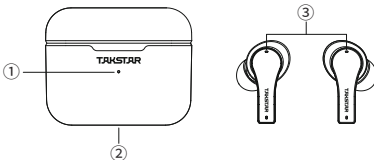
■ Function Descriptions

Transmitter



- ① Power Button: Long press for 2s to power on/off; quick triple tap to enter pairing mode.
- ② Working Indicator: Low battery: red light flashes rapidly; Charging: red light flashes slowly; Fully charged: red light stays steady on; Unconnected: green light flashes slowly; Pairing mode: green light flashes rapidly; Successful pairing: green light stays steady on. See "Pairing Operation" in this manual for detailed pairing steps.
- ③ Type-C Charging Port: Charge via a charging cable connected to a DC 5V--500mA (or higher) adapter.
- ④ Audio Input Plug: Connect to the Ø3.5mm monitoring headphone jack of devices like sound cards and mixers.

Wireless Headphones



- ① Power Indicator: Low battery: green light flashes 4 times consecutively then turns off; Charging: red light flashes slowly; Fully charged: red light stays steady on.

WPM-420 Wireless Monitor Headphones

- ② Type-C Charging Port: Charge via a charging cable connected to a DC 5V=500mA (or higher) adapter.
- ③ Working Indicator: Low battery: red light flashes; Charging: red light stays steady on; Fully charged: red light turns off; Unconnected: green light flashes slowly; Successful pairing: green light stays steady on.

■ Operating Instructions

Power On/Off

Transmitter: Long press the power button for 2s to power on/off.

Wireless Headphones: Automatically powers on when taken out of the charging case; automatically powers off when placed into the charging case.

Pairing Operation

The set is pre-paired by default and connects automatically when powered on. For re-pairing or pairing additional wireless headphones, follow these steps:

1. Take the wireless headphones to be paired out of the charging case. They will be unpaired, with the working indicator flashing green slowly.
2. Power on the transmitter, then quickly triple-tap its power button. The transmitter enters pairing mode, with the working indicator flashing green rapidly.
3. When the wireless headphones' working indicator stays steady on, pairing is complete and connection is successful.

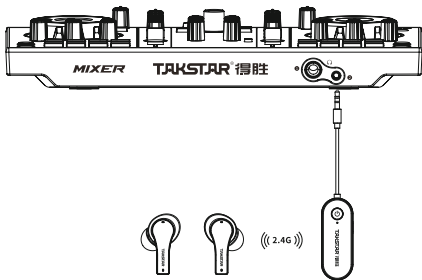
Notes:

1. To pair multiple wireless headphones, simply take all of them out of the charging case and perform the transmitter pairing steps to enable one-to-multi functionality.
2. When pairing multiple sets of devices, avoid having multiple transmitters enter pairing mode simultaneously. Pair them individually at separate times.

WPM-420 Wireless Monitor Headphones

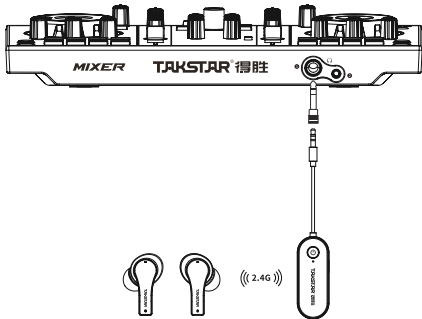
Monitoring Connection Method

1. After the transmitter and wireless headphones are successfully paired, connect the transmitter to the Ø3.5mm monitoring headphone jack of the sound card.



WPM-420 Wireless Monitor Headphones

2. If the monitoring headphone jack of the sound card is $\Phi 6.35\text{mm}$, use a $\Phi 3.5\text{mm}$ to $\Phi 6.35\text{mm}$ adapter (adapter sold separately) for connection.



■ Correct Operation

For safe and comfortable operation, please read carefully and abide by the following items:

1. To avoid hearing loss, set the volume of the player to minimum before connecting the headphones. After putting the headphones on, increase the volume to a proper level. Noise is measured in decibels (dB). Any outside noise of 85 decibels or more will cause gradual hearing loss.
2. Please pay attention to your operation habits! Volume and duration are proportional to hearing loss. The higher the volume, the shorter the time you should listen; the more comfortable the volume is, the longer you can listen. Listening at high volume for long will cause damage to your hearing.

WPM-420 Wireless Monitor Headphones

The following decibel (dB) chart compares some common noise sources and their potential danger to your hearing.

Sound Source	Noise Level	Consequence on Hearing
Whisper	30dB	Very quiet
Quiet office	50-60dB	Comfortable hearing level is below 60dB
Vacuum cleaner/ hair dryer	70dB	Somewhat invasive and may interfere with phone calls
Food processor	85-90dB	85dB (continuously 8 hours) will begin to hurt hearing
Garbage cleaning machine/ cement mixer	100dB	Exposure to sound of 90~100dB is suggested to be within 15 minutes if without protection
Electric saw/ electric drill	110dB	Frequent exposure to over 100dB for more than 1 minute can impair hearing
Rock concert (subjective)	110-140dB	Painful hearing starts at about 120dB

■ Maintenance

1. Clean the ear tips periodically. Wipe the ear tips gently with a dry cloth, or a towel soaked with neutral soapy water or detergent. Do not directly put them in water for cleaning.
2. Operating the headphones in high temperature or high humidity for long can lead to device damage or shortened service life.
3. Keep the headphones away from strong magnet to avoid demagnetizing and decreased sensitivity and performance.

WPM-420 Wireless Monitor Headphones

■ Cautions

⚠ DANGER

To ensure your personal safety, do not wear or place the headphones too close to the pacemaker (less than 10cm).	⊘ Prohibited
Do not insert the cable plug into live power socket.	⊘ Prohibited
For your safety and the safety of other traffic participants, do not use the headphones while driving a vehicle, riding a bicycle or walking on the road.	🛑 Follow
Keep away from fire to avoid explosion.	⊘ Prohibited

⚠ WARNING

Not a toy. Children should not use without adult supervision.	🛑 Follow
Abide by relative safety rules during operation. Do not use it if prohibited by laws and regulations to avoid accident.	🛑 Follow

■ Safety Instructions

To avoid electric shock, overheat, fire, radiation, explosion, mechanical risk and injury or property loss due to improper use, please read and observe the following items before use:

1. Please check if the power of the connected equipment matches with that of this product before operation. Adjust the volume to proper level during operation. Do not operate at over-power or high-volume level for extended time to avoid product malfunction and hearing impairment.
2. If there is any abnormality during use (e.g., smoke, strange odor), please kill the power switch and unplug from power source, then send the product to the local after-sales service for repair.
3. Power adapter used, if any, should be approved by CCC certification or similar standards and comply with the power supply requirements.
4. Keep this product and its accessories in a dry and ventilated area. Do not store in a humid or dusty area for extended time. Keep away from fire, rain, liquid intrusion, bumping, throwing, vibrating, or from blocking any ventilation openings, to prevent malfunction.

WPM-420 Wireless Monitor Headphones

5. The product must, when installed on walls or ceilings, be fixed firmly in place at adequate strength to prevent from falling.
6. Please abide by safety rules during operation. Do not use the product in places prohibited by laws or regulations to avoid accident.
7. Do not disassemble or repair the product unauthorized to avoid injury. If you have any questions or require any services, please contact our local after-sales service.

■ Label Meanings



This symbol indicates that this product should not be disposed of with your household waste, according to the WEEE directive (2012/19/EU) and your national law. This product should be handed over to an authorized collection site for recycling waste electrical and electronic equipment (WEEE).

Improper handling of this type of waste could have a possible negative impact on the environment and human health due to potentially hazardous substances that are generally associated with WEEE. At the same time, your cooperation in the correct disposal of this product will contribute to the effective usage of natural resources. For more information about where you can drop off your waste equipment for recycling, please contact your local city office, waste authority, or your household waste disposal service.

■ About This Manual

This manual contains up-to-date technical specifications as of printing. However, specifications contained herein may not conform to your particular product since Takstar is constantly improving its products. Also, specifications, devices or accessories available may vary from region to region. If you have any questions, please contact our local sales outlet. For the latest version/more information, please visit our website: <https://www.takstar.com/>
Copyright ©2025 TAKSTAR. TAKSTAR, 得胜 and their respective logos are registered trademarks or trademarks of Takstar company in the PRC, and/or other countries. All other trademarks are the property of their respective owners.

注意事项：

1. 本单为保修凭证，请用户妥善保管，如有遗失，恕不保修或退换。
2. 保修期限限制：购买之日起十二个月内。
3. 除了不可抗力事件损坏外，由本公司负责，免费维修。
4. 如属保管不善或使用不当造成的损坏，维修点将酌情收费。
5. 擅自拆卸维修者，不予保修。
6. 以上保修条款仅限于中国市场适用（不含港澳台地区）。

产品服务保证书

姓名：_____ 电话：_____ 地址：_____

商品：_____ 型号：_____ 购买日期：_____ 年__月__日

维修记录栏（由维修员填写）	维修员签名	日期



扫一扫, 了解更多产品
Scan for more
product information

广东得胜电声有限公司制造

地址: 中国广东省惠州市博罗县龙溪街道夏寮村委会
大门村夏照(得胜创业园)

服务热线: 400 6828 333 传真: 0752 6383950

邮箱: xs@takstar.com

网址: www.takstar.com

Designed & Manufactured by:

Guangdong Takstar Electroacoustic Co., Ltd.

Address: Takstar Innovation Park, Xiazhao,
Damen Village, Xialiao Village Committee,
Longxi Street, Boluo County, Huizhou City,
Guangdong, P.R. China

Tel: 86 752 6383644 Fax: 86 752 6383952

Email: sales@takstar.com

Website: www.takstar.com